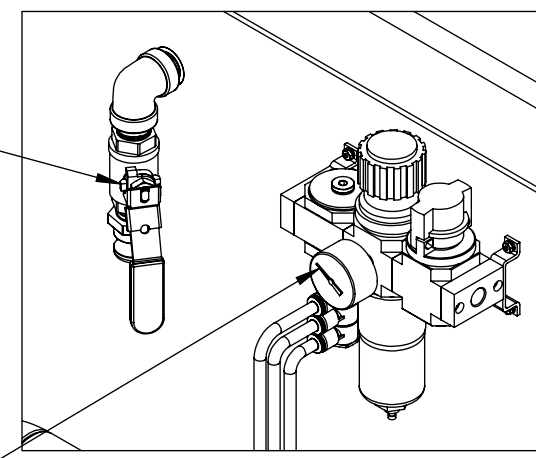
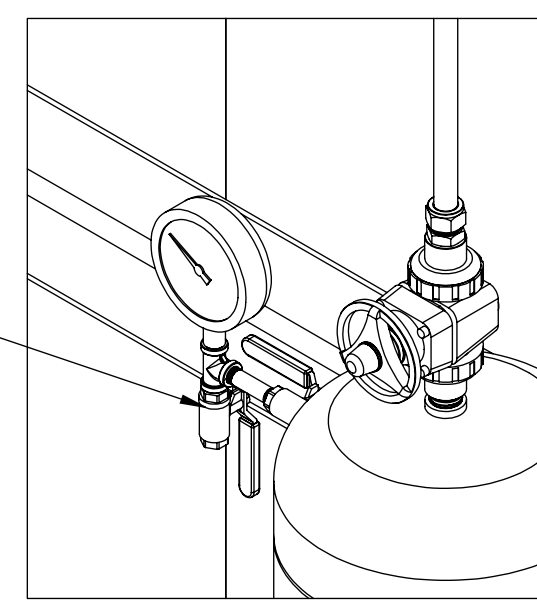
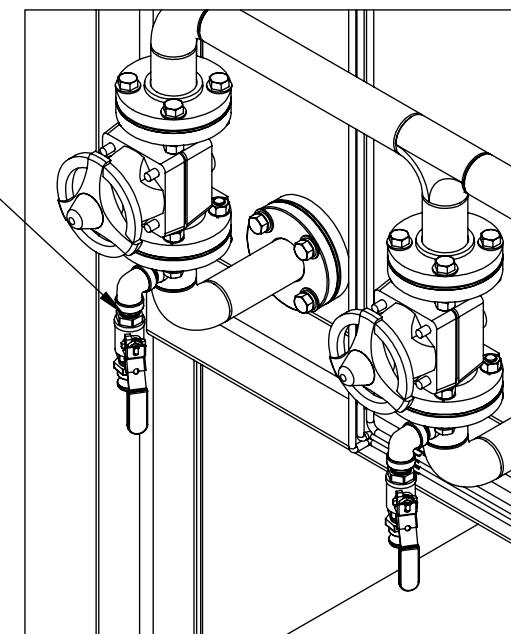
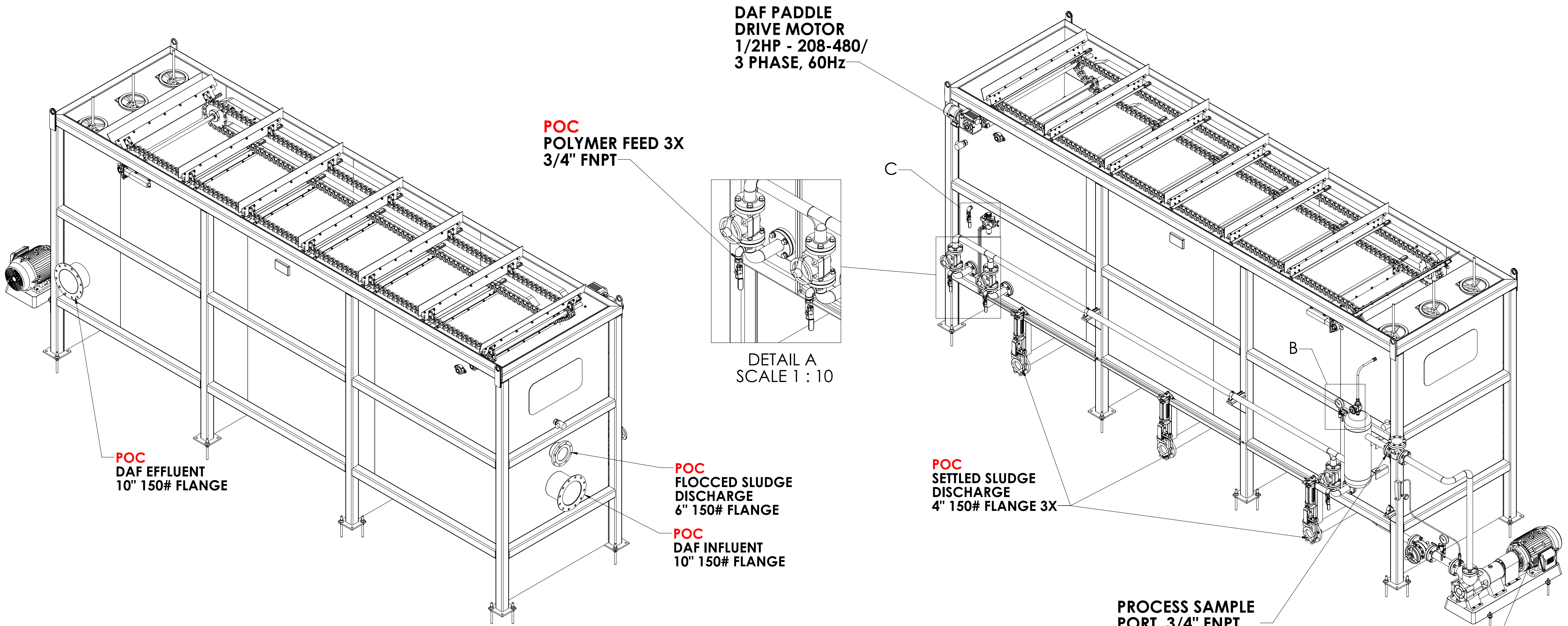


# STANDARD R-75RR-LEFT DAF



PRESSURE RELEASE PORT, 3/4" NPT

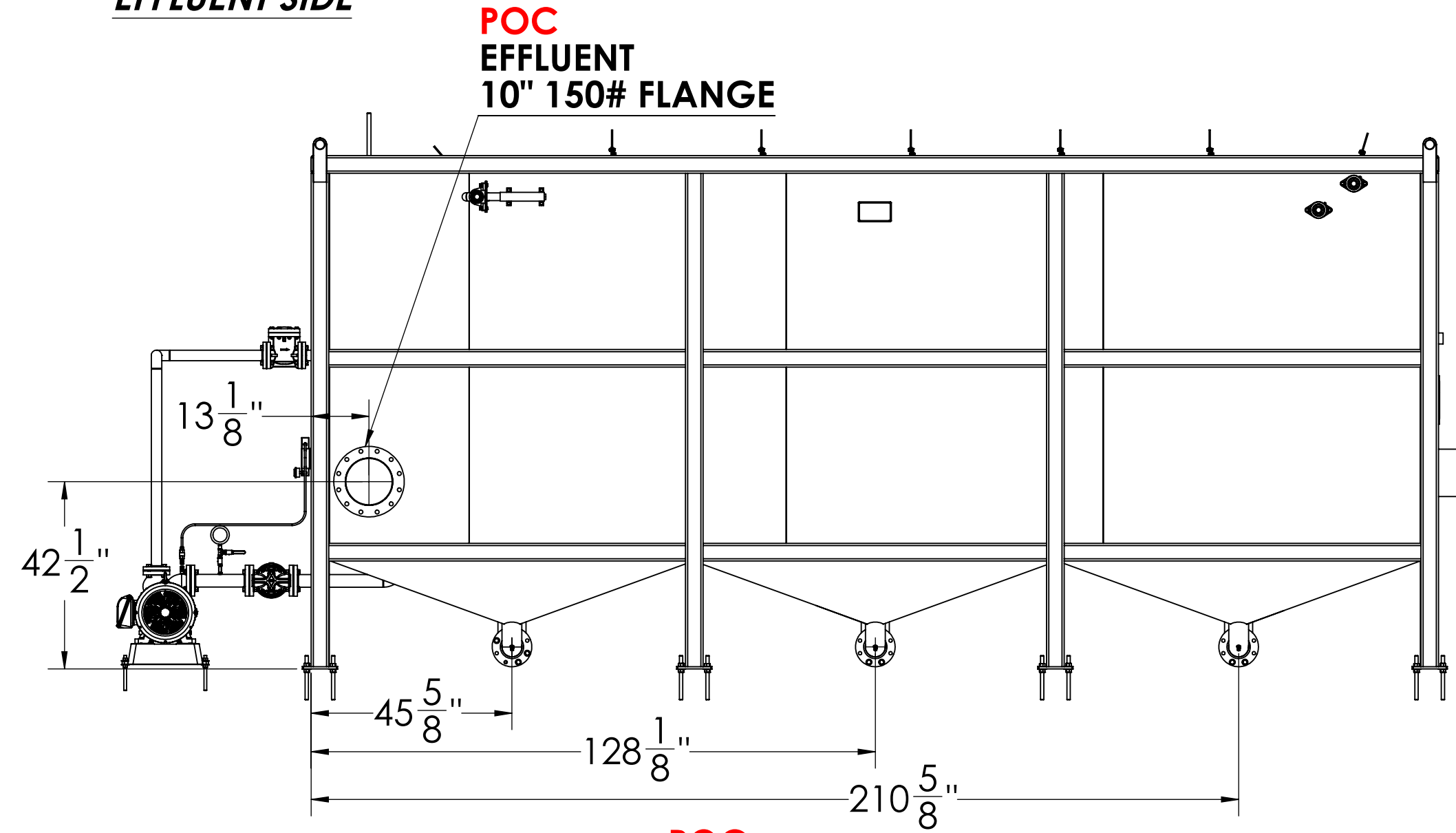
PROCESS SAMPLE PORT, 3/4" FNPT

POC AIR DISTRIBUTION MANIFOLD  
1/4" NPT 3X  
5 SCFM @90 PSI  
AIR FLOW REQUIRED

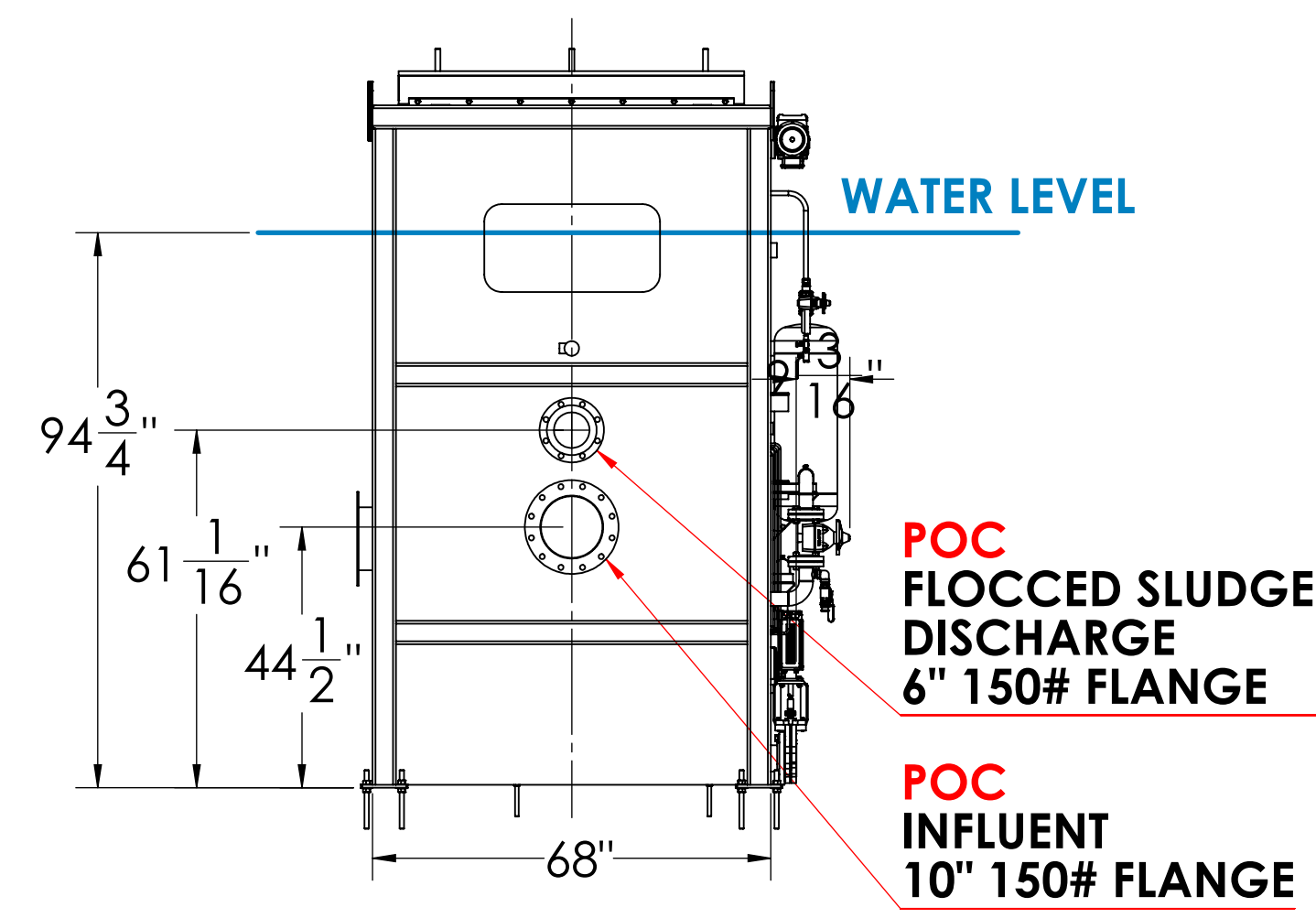
- AVAILABLE OPTIONS - NOT SHOWN**
- LOCAL CONTROL PANEL
  - CAT WALK
  - POLYMER SYSTEM
  - AIR COMPRESSOR

		6424 SOUTH QUEBEC ST CENTENNIAL, CO 80111 PHONE: 303-985-0885		DWG. NO. R-75RR-CD MATERIAL		
		PROJECT R-75RR-LEFT DAF	DWN BY RLR	APPRV BY BG	DATE 2/6/2013	SIZE D
DESCRIPTION R-75RR-CD LRFT DAF - ISO VIEW				SCALE 1:20	SHT 1	OF 1

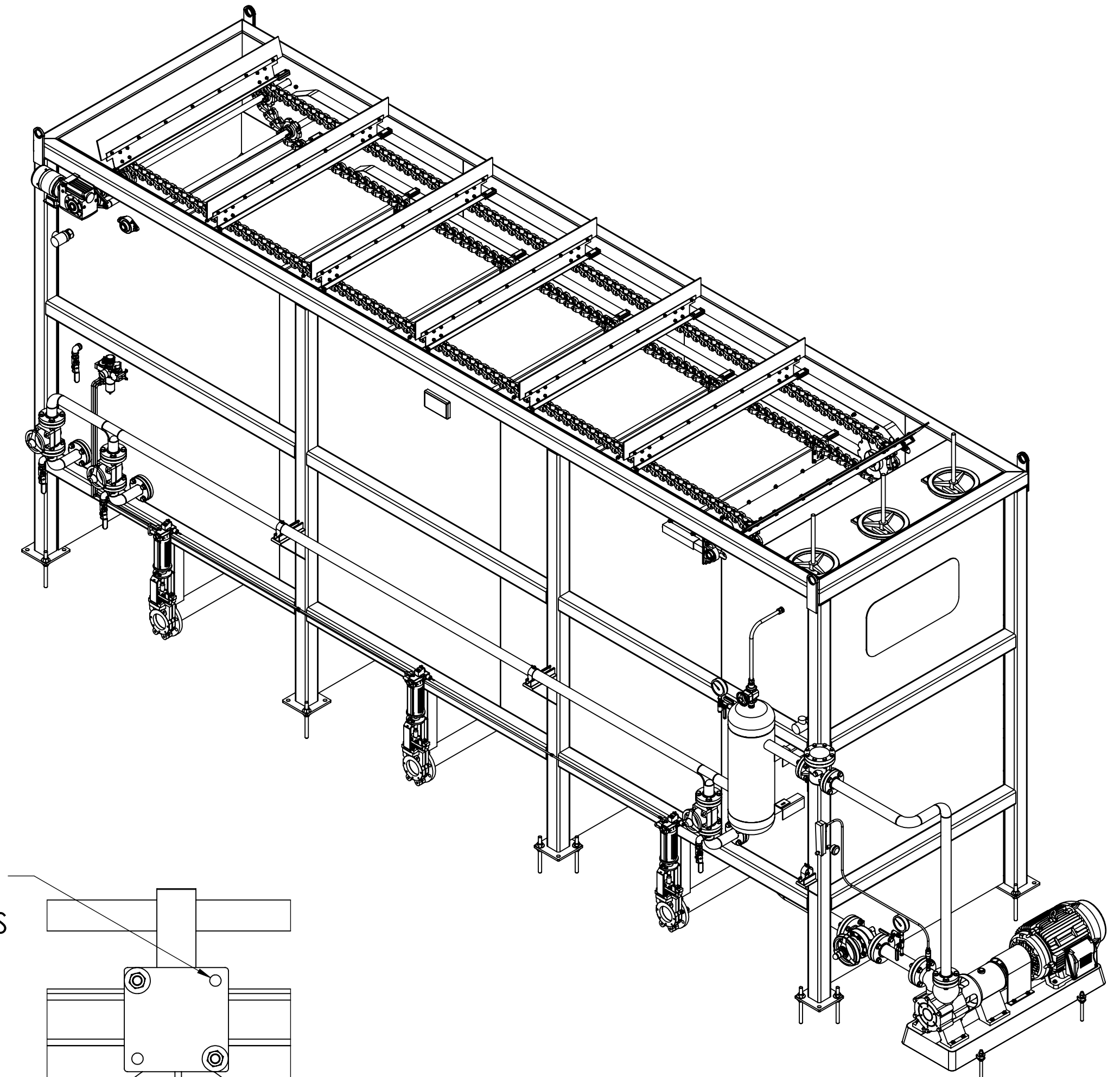
**EFFLUENT SIDE**



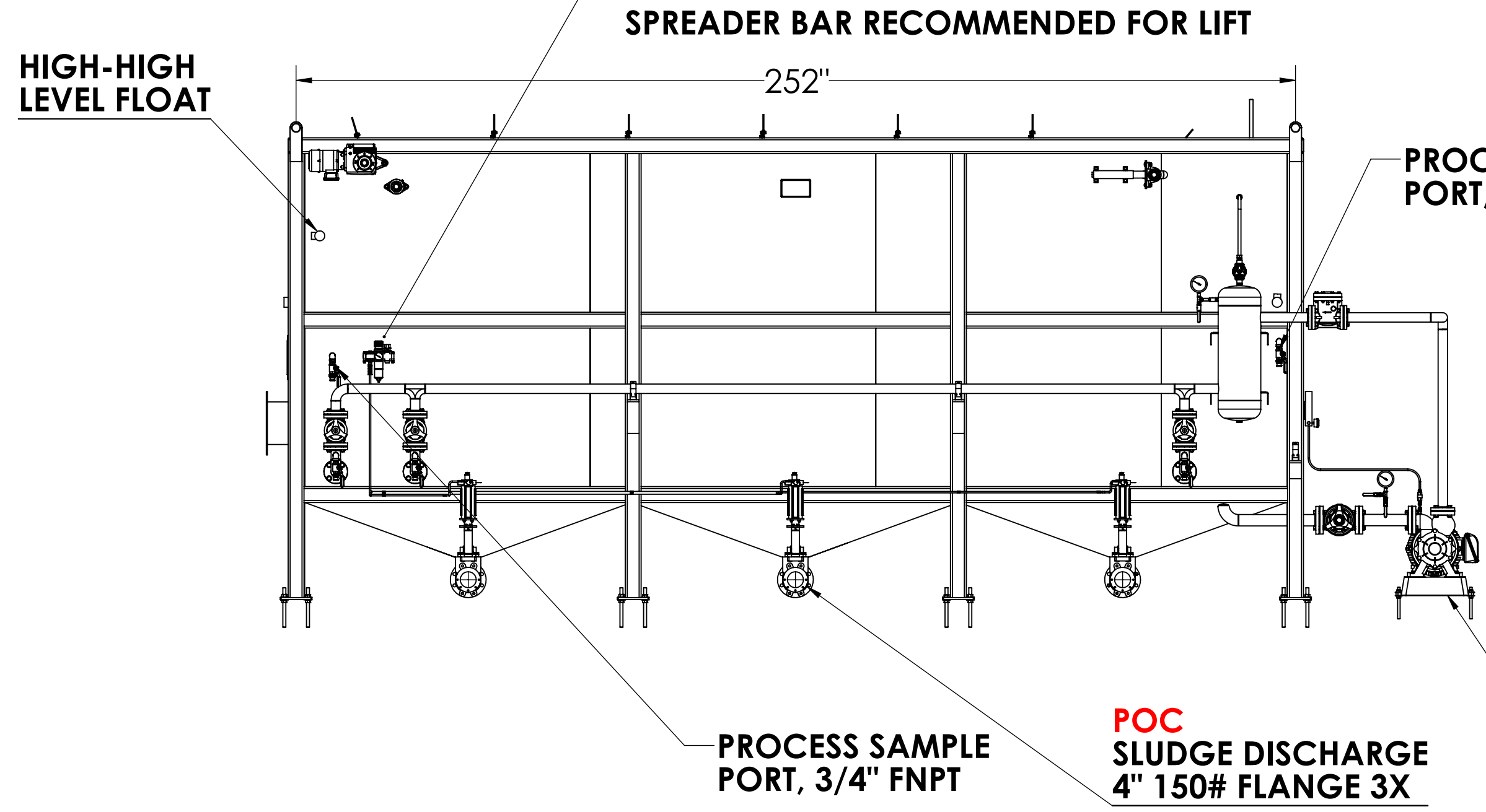
**INFLUENT END**



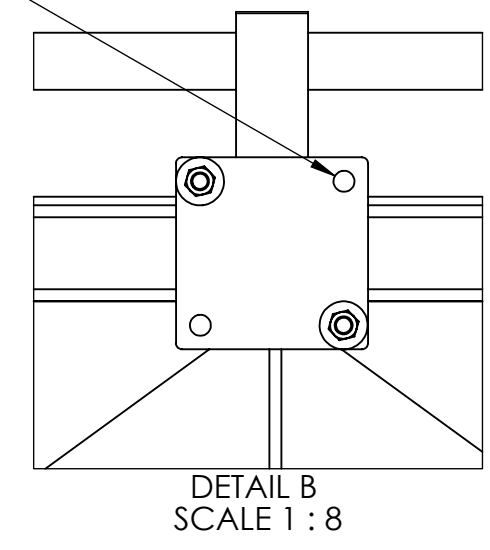
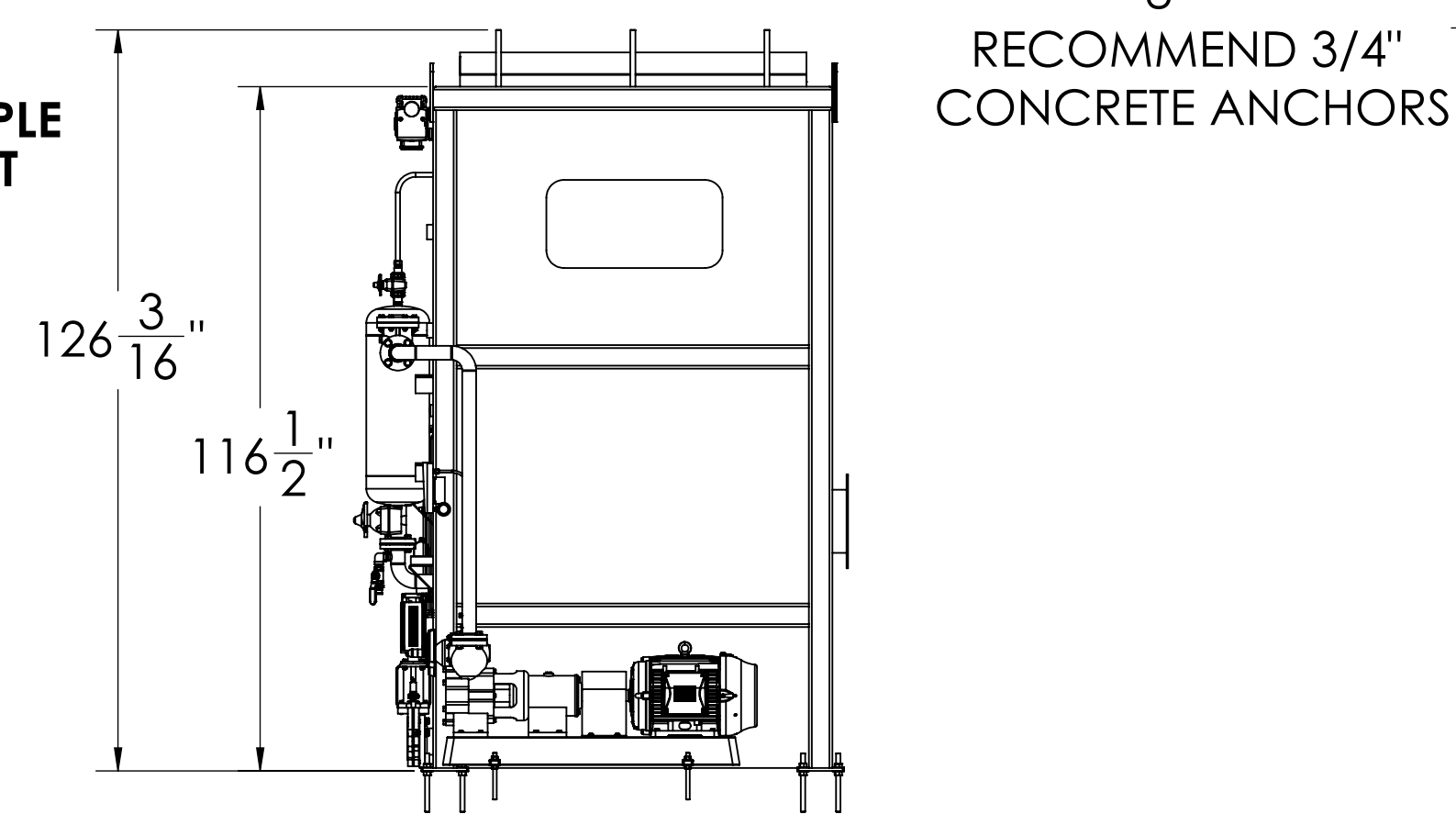
**ISO VIEW**



**SLUDGE SIDE**



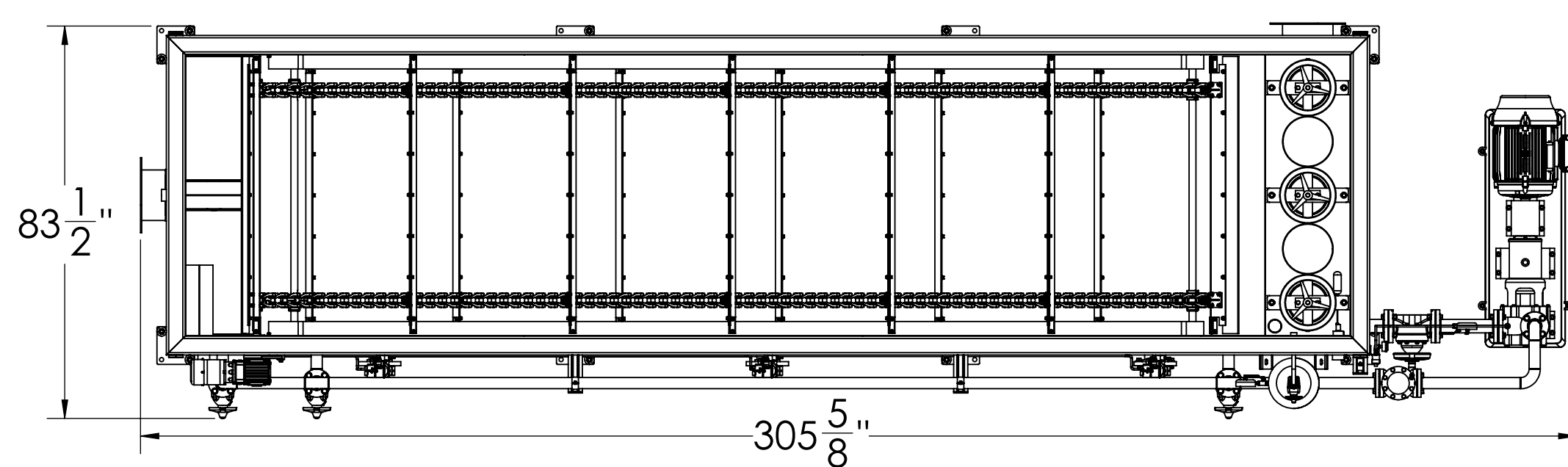
**PUMP END**



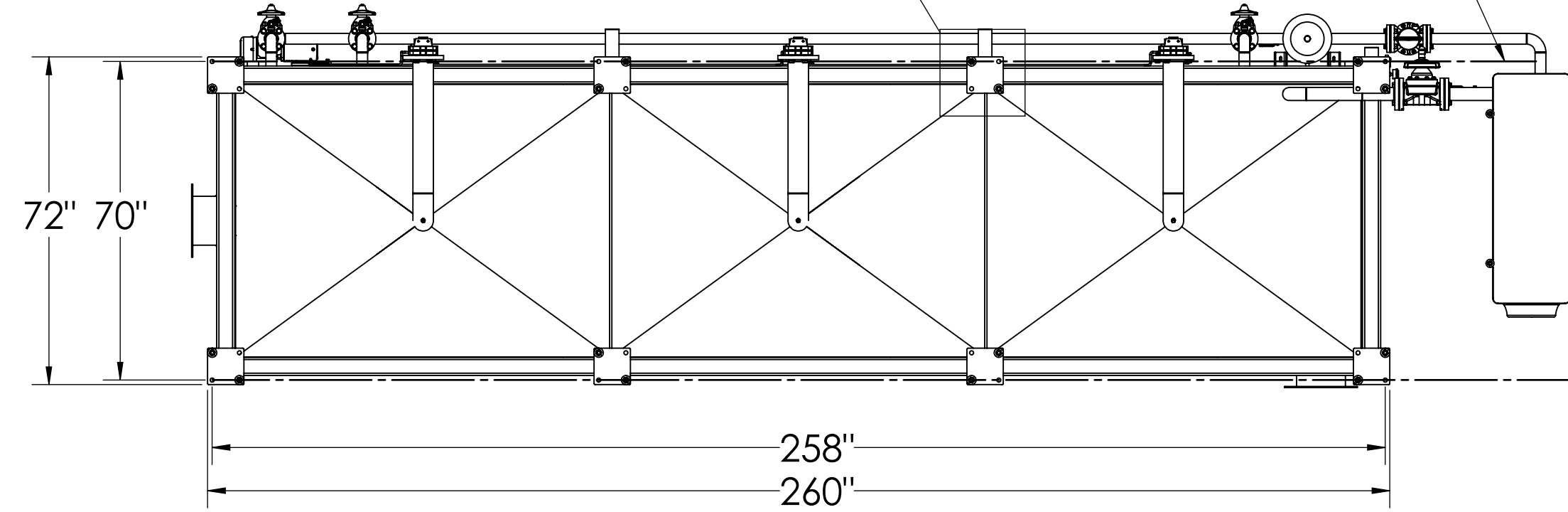
DAF PUMP SKID TO BE PLACED ON LEVELING SCREWS TO ALIGN SUCTION AND DISCHARGE PIPING ELEVATION WITH DAF CONNECTION POINTS

DAF TO BE LEVELED IN THE FIELD WITH SHIMS OR LEVELING SCREWS AND NON-SHRINK GROUT

**TOP**



**BOTTOM**



ESTIMATED DRY WEIGHT: 15,140 LBS  
ESTIMATED WET WEIGHT: 57,150 LBS

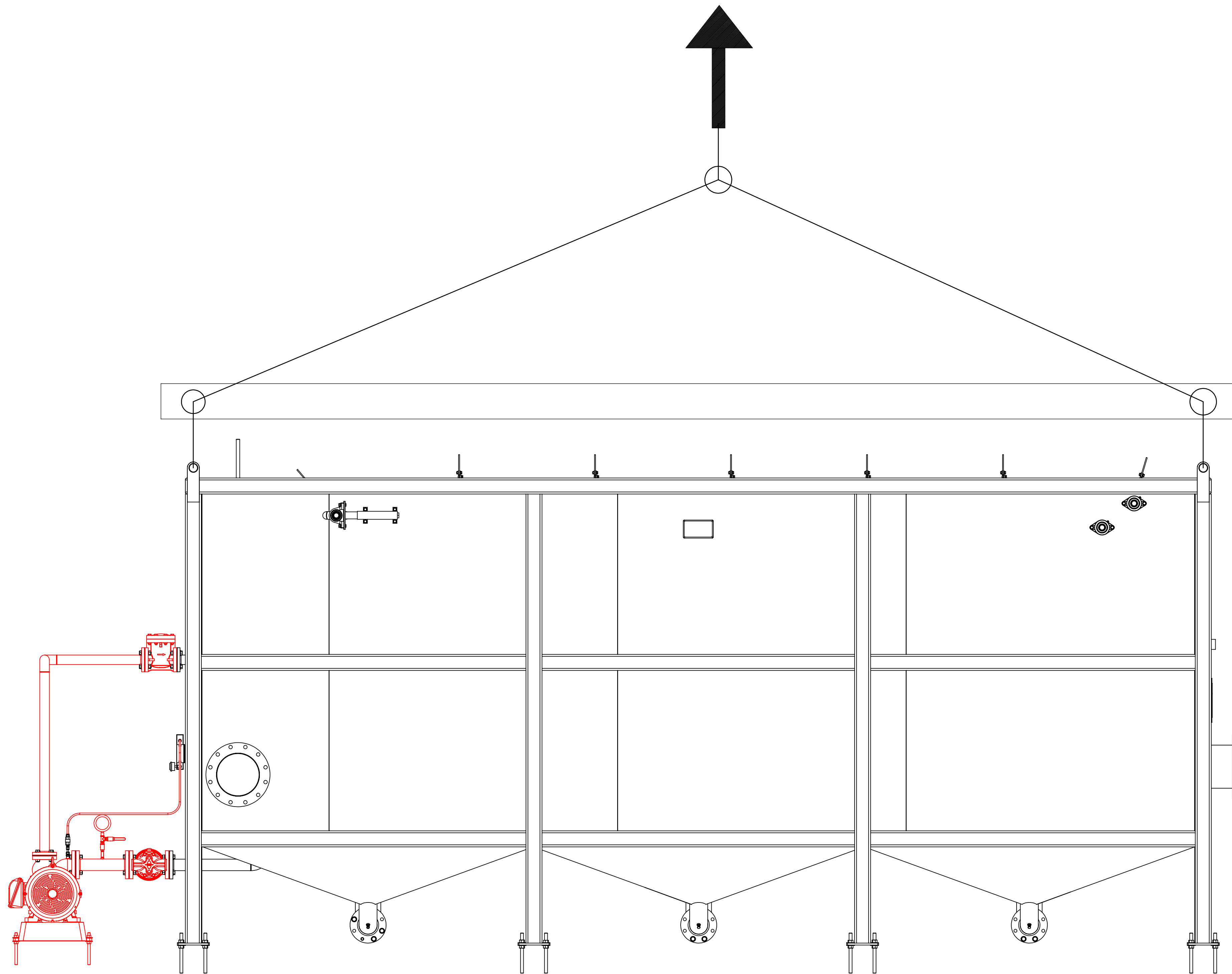
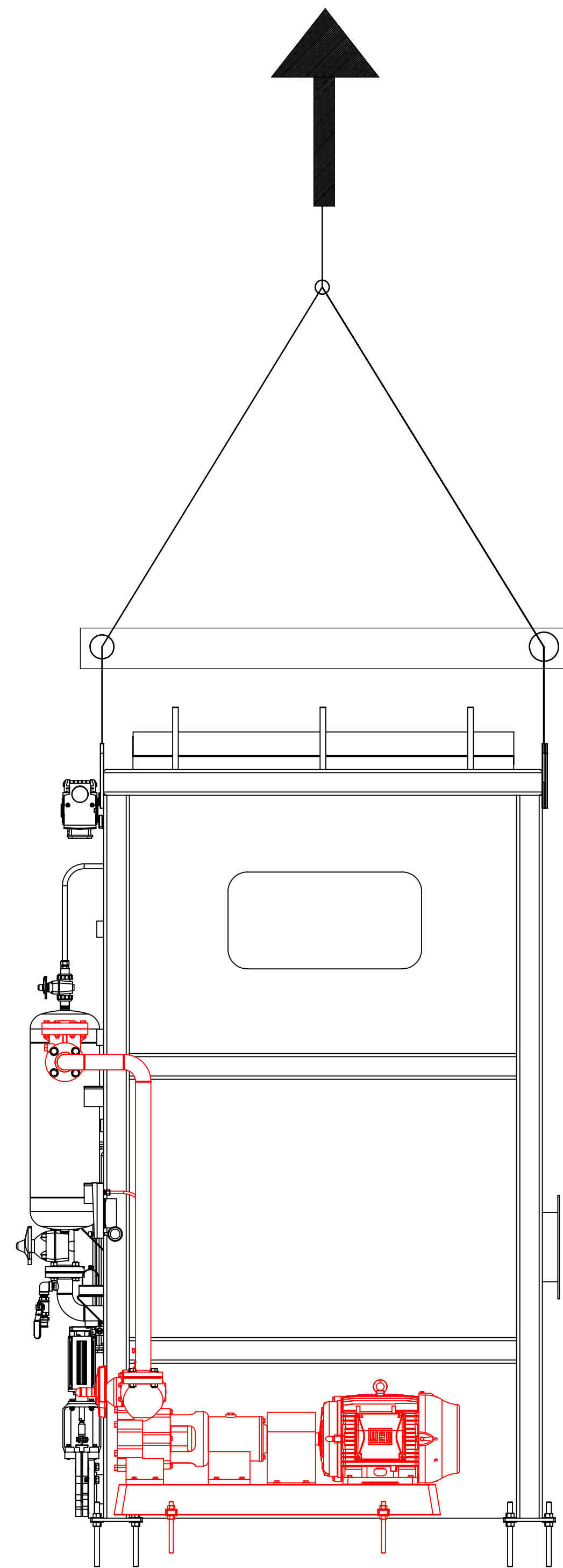
# R-75RR

**CUSTOMER NOTE: NO FABRICATION WILL BEGIN WITHOUT A SIGNED COPY INDICATING CUSTOMER APPROVAL BELOW**


- APPROVED AS DRAWN
- APPROVED WITH COMMENTS, NO RESUBMITTAL REQD.
- NOT APPROVED, RESUBMITTAL REQD.

SIGNATURE \_\_\_\_\_ DATE \_\_\_\_\_

		6424 SOUTH QUEBEC ST CENTENNIAL, CO 80111 PHONE: 303-985-0885		DWG. NO. R-75RR-CD MATERIAL		
		PROJECT R-75-LEFT DAF	DWN BY RLR	APPRV BY	DATE 02-06-2013	SIZE D
DESCRIPTION R-75RR-CD LEFT DAF DIMENSION DETAILS				SCALE 1:30	SHT 1	OF 1



**RECOMMEND USING SPREADER BARS AS INDICATED TO PREVENT DAMAGE TO DAF.  
 CHECK FOR CG. BEFORE COMPLETE LIFT AND ADJUST BARS AS REQ'D.  
 ITEMS IN RED SHIPPED SEPERATELY FROM DAF, INSTALLED IN FIELD.  
 ESTIMATED DRY WEIGHT: 13,700 LBS.**

		6424 SOUTH QUEBEC ST CENTENNIAL, CO 80111 PHONE: 303-985-0885		DWG. NO. R-75RR-CD MATERIAL		
		PROJECT R-75RR-CD LEFT DAF	DWN BY RR	APPRV BY BG	DATE 2/6/2013	SIZE D
DESCRIPTION R-75RR-CD LEFT DAF LIFTING DETAIL				SCALE 1:16	SHT 1	OF 1