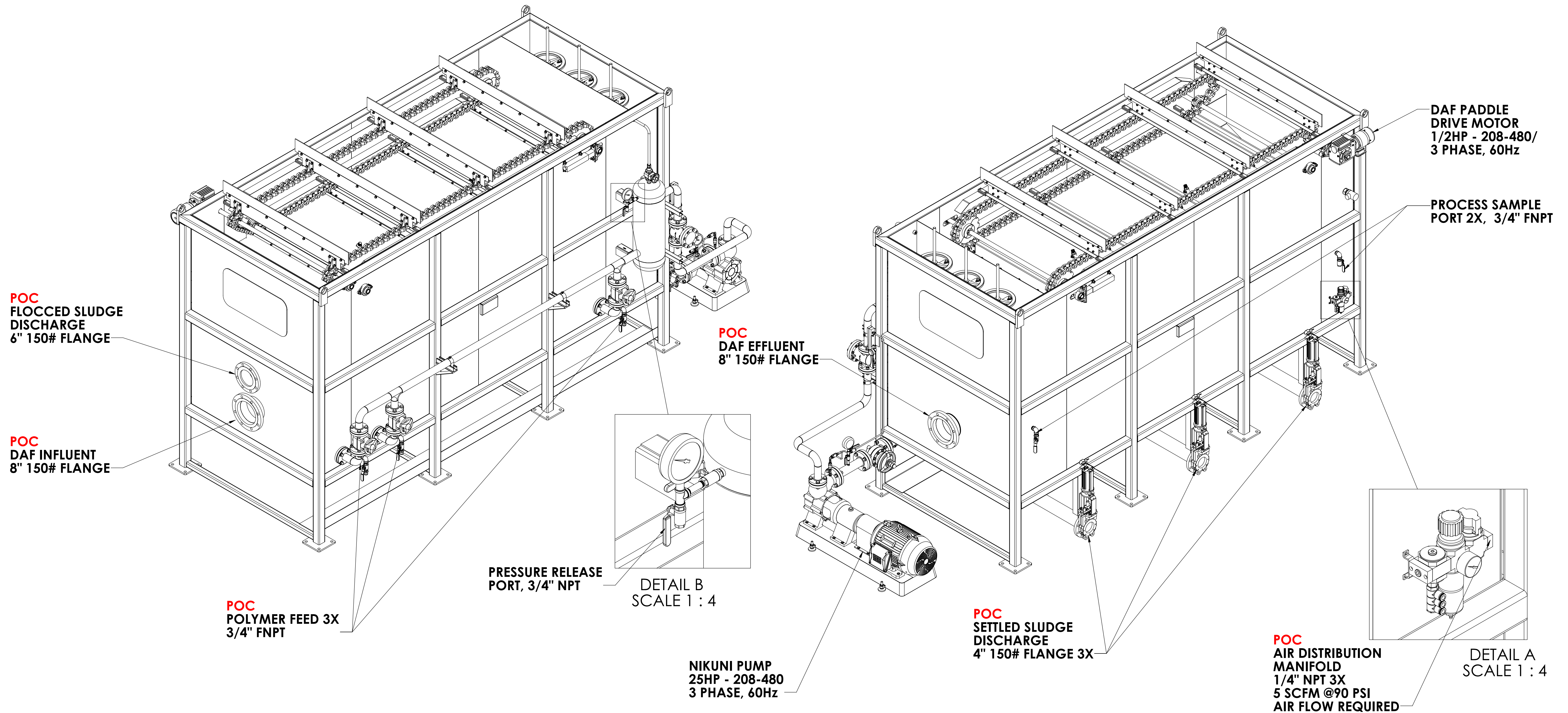



STANDARD R-50B-RIGHT DAF



AVAILABLE OPTIONS - NOT SHOWN

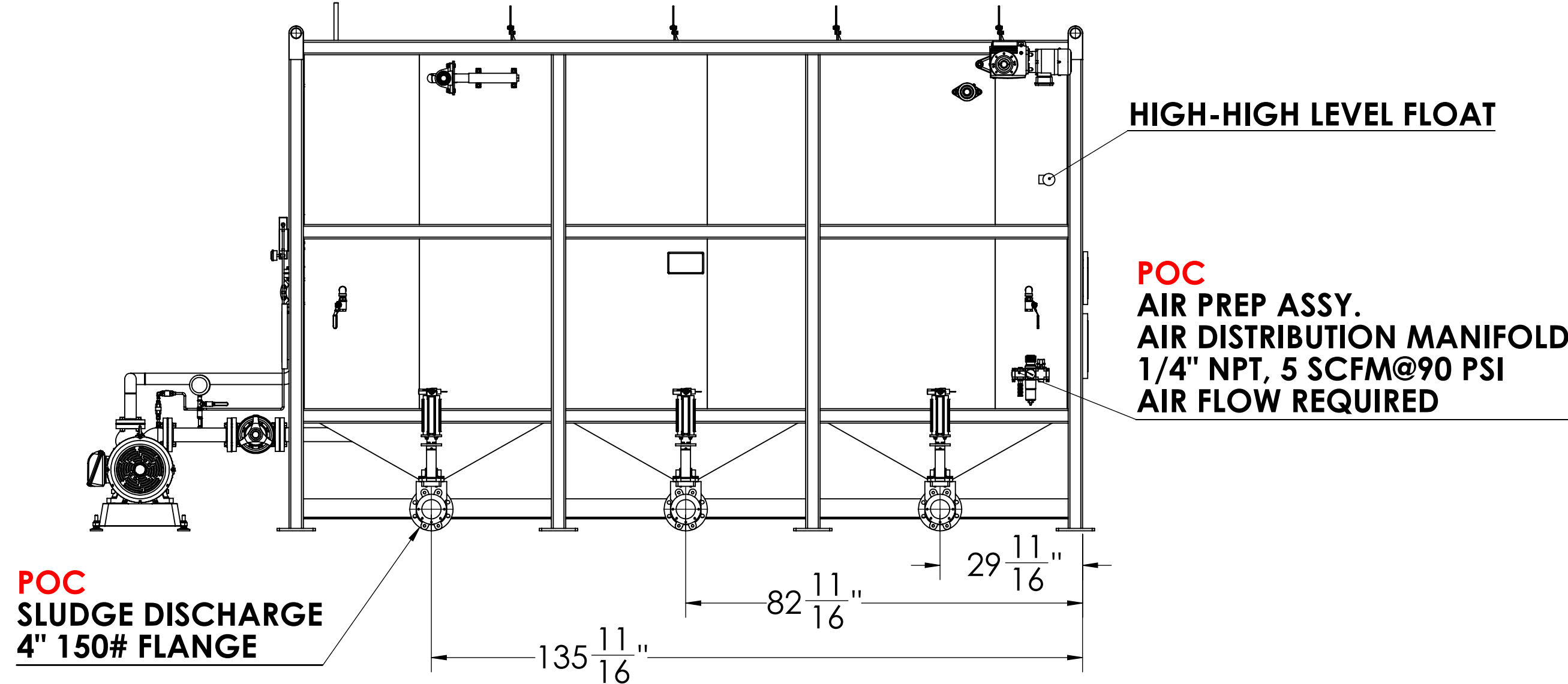
- LOCAL CONTROL PANEL
- CAT WALK
- POLYMER SYSTEM
- AIR COMPRESSOR

		6424 SOUTH QUEBEC ST CENTENNIAL, CO 80111 PHONE: 303-985-0885		DWG. NO. R-50B-RIGHT DAF - ISO VIEW MATERIAL	
		PROJECT R-50B-RIGHT DAF	DWN BY RLR	APPRV BY BG	DATE 1/30/2013
DESCRIPTION R-50B-RIGHT DAF - ISO VIEW			SCALE 1:1	SHT 1	OF 1

SLUDGE SIDE

INFLUENT

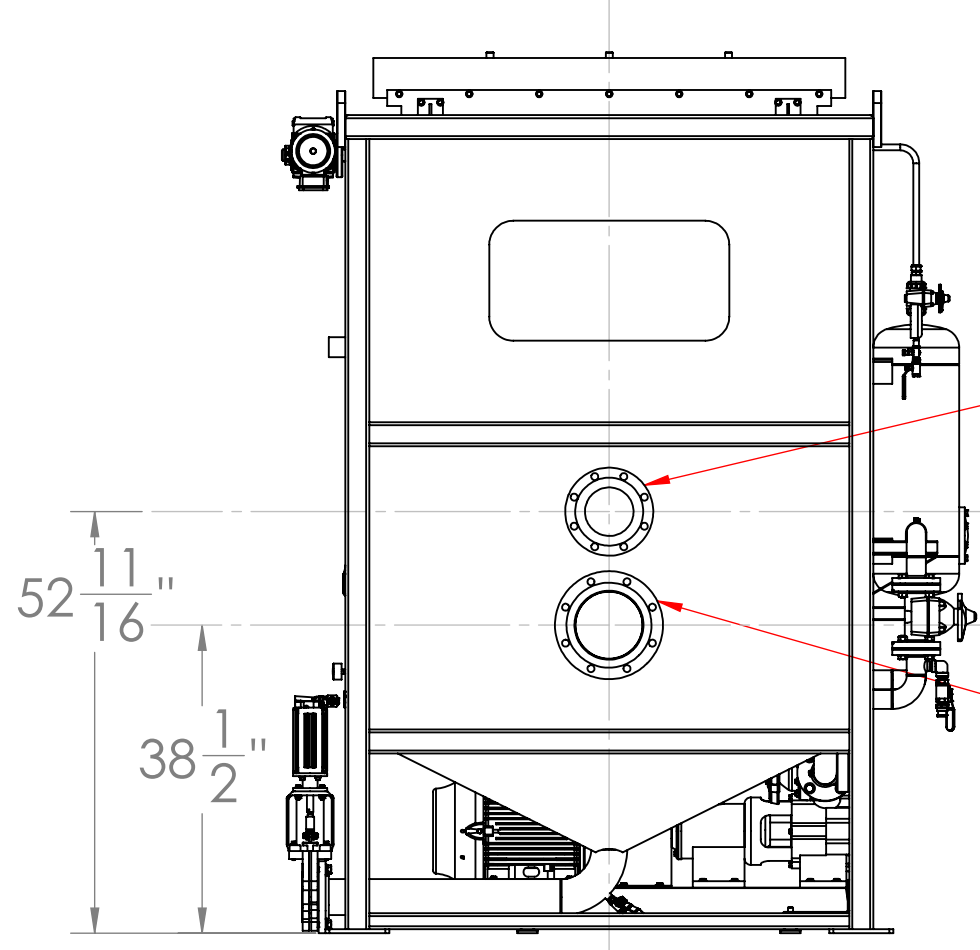
ISO VIEW



POC
SLUDGE DISCHARGE
4" 150# FLANGE

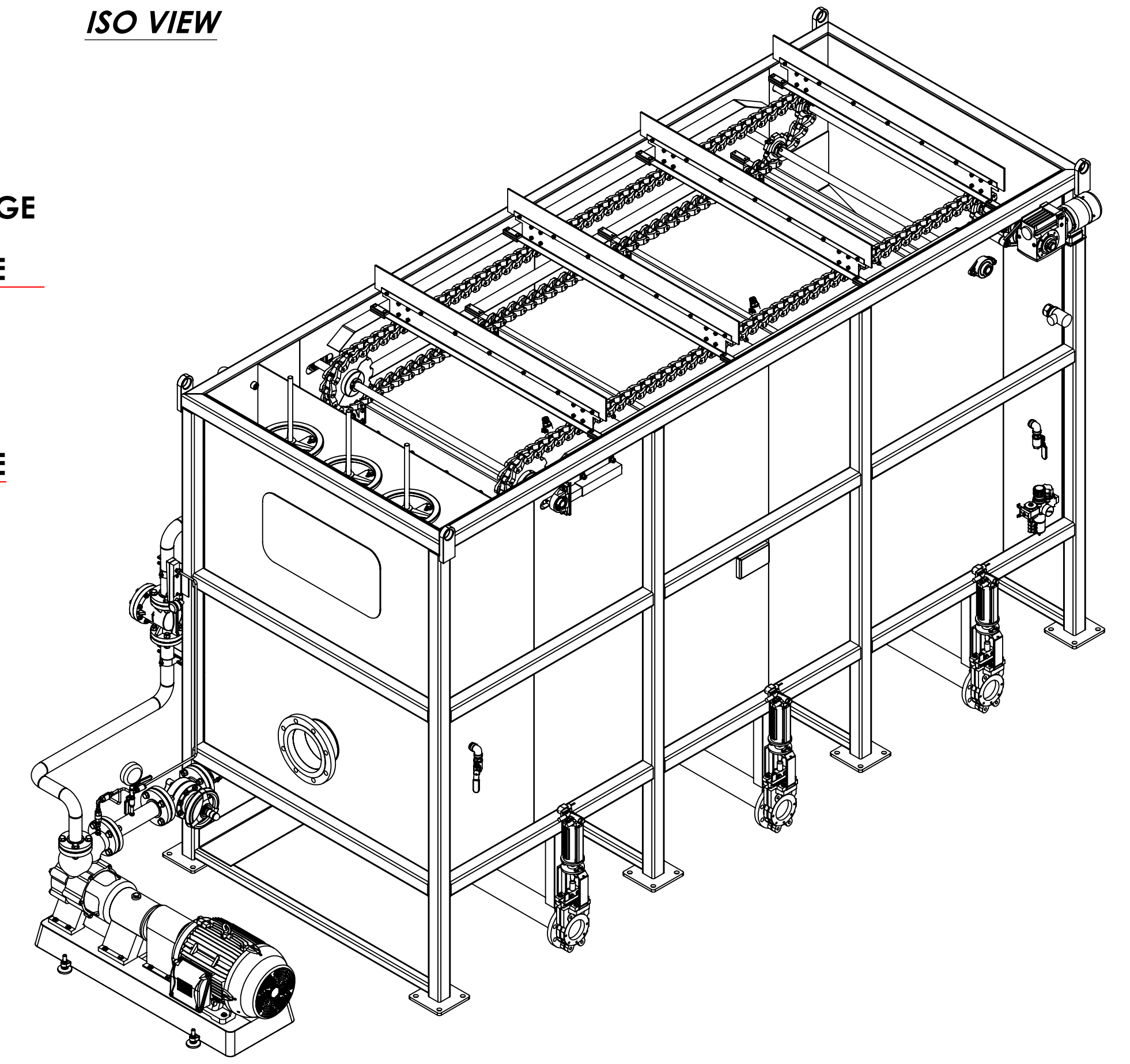
HIGH-HIGH LEVEL FLOAT

POC
AIR PREP ASSY.
AIR DISTRIBUTION MANIFOLD
1/4" NPT, 5 SCFM@90 PSI
AIR FLOW REQUIRED



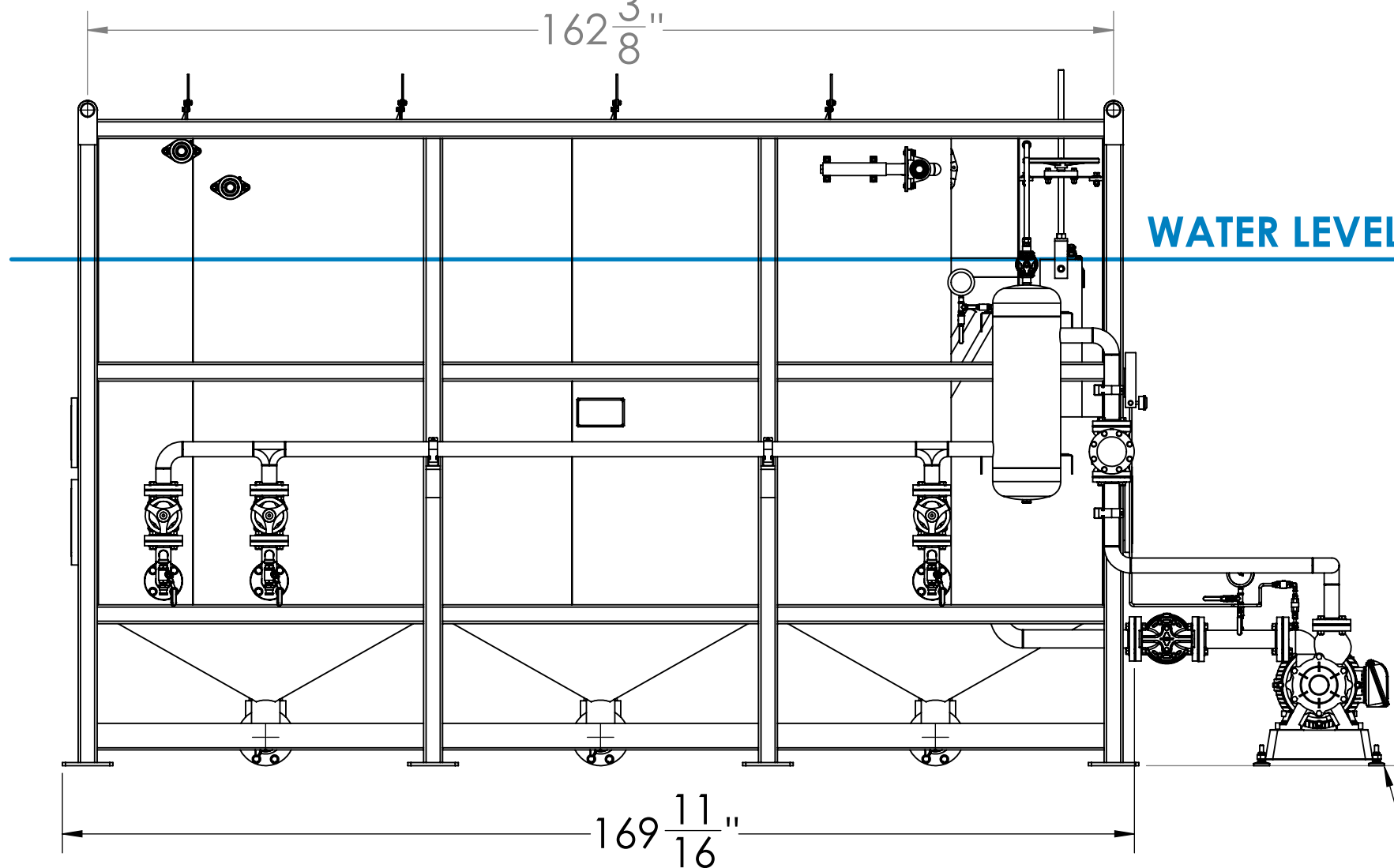
POC
FLOCCED SLUDGE
DISCHARGE
6" 150# FLANGE

POC
INFLUENT
8" 150# FLANGE



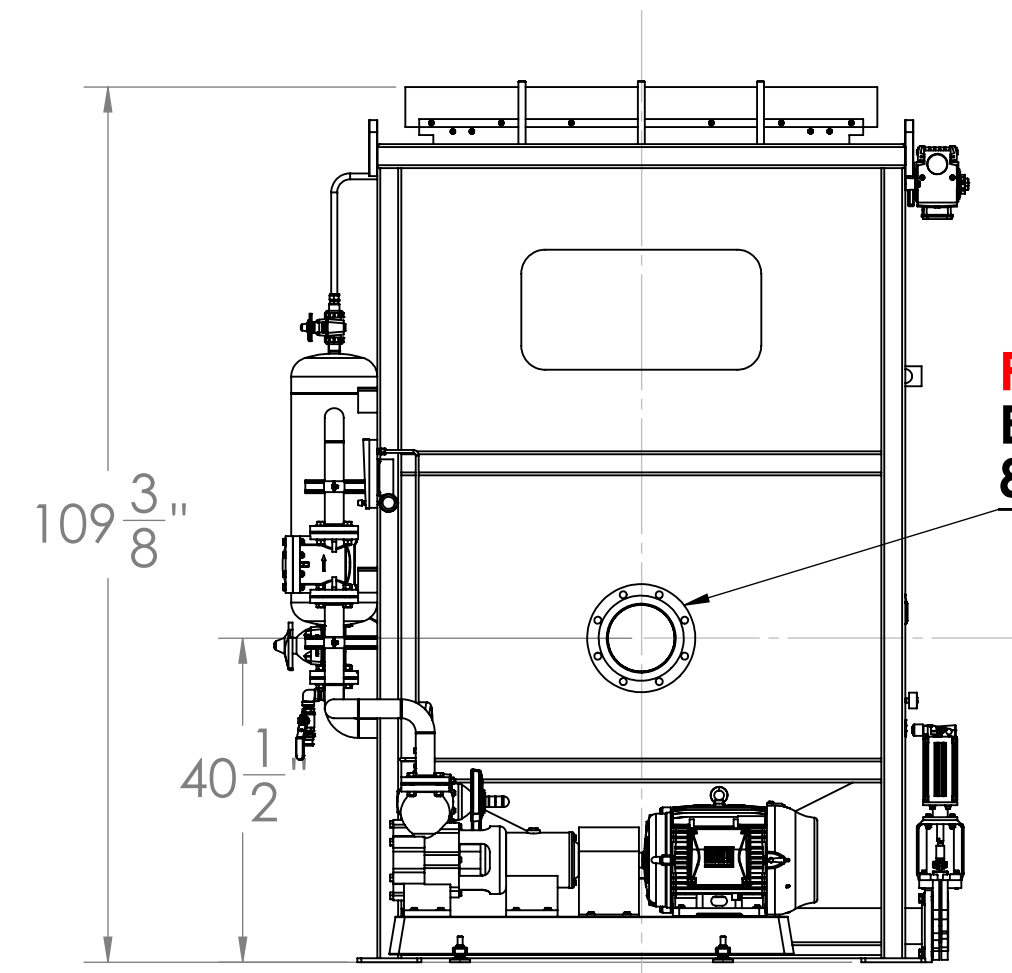
CONTROL SIDE SPREADER BAR RECOMMENDED FOR LIFT

EFFLUENT



WATER LEVEL

DAF PUMP SKID TO BE PLACED ON
LEVELING SCREWS TO ALIGN SUCTION
AND DISCHARGE PIPING ELEVATION
WITH DAF CONNECTION POINTS

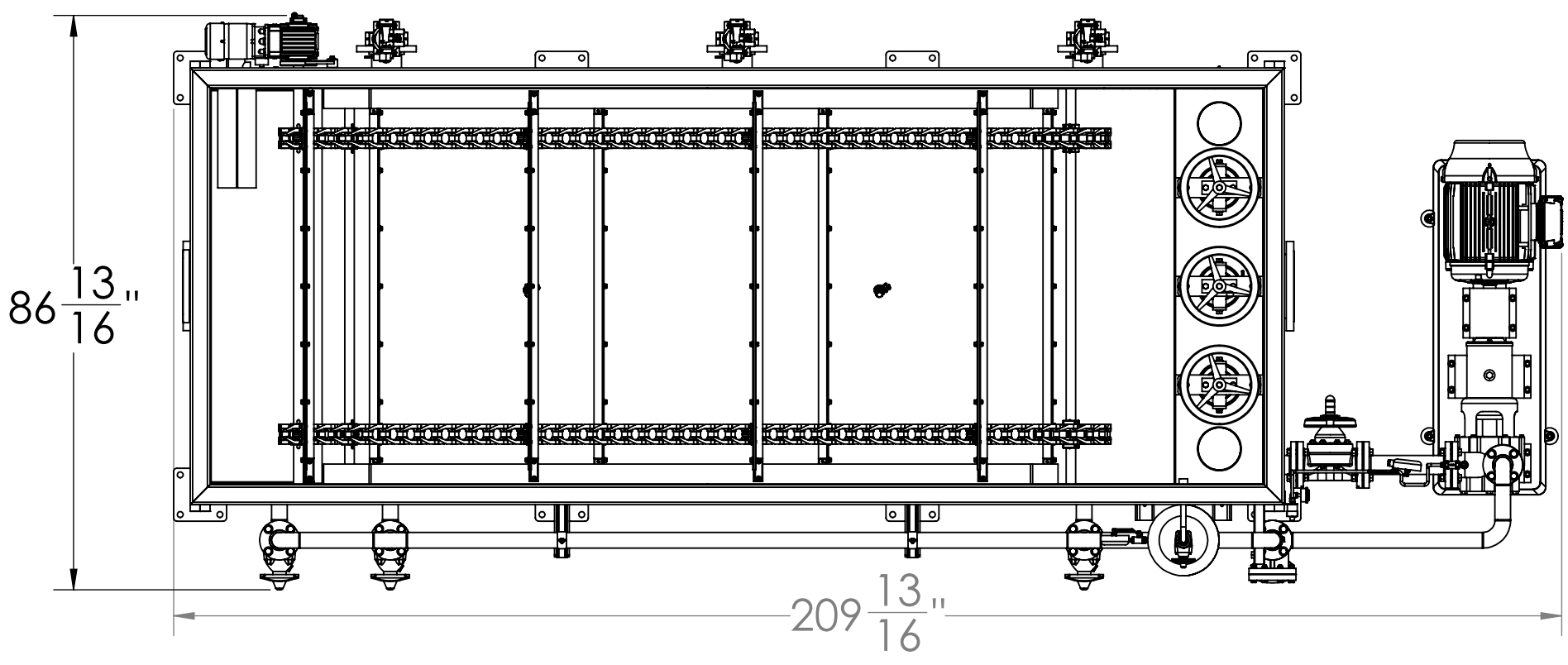


POC
EFFLUENT
8" 150# FLANGE

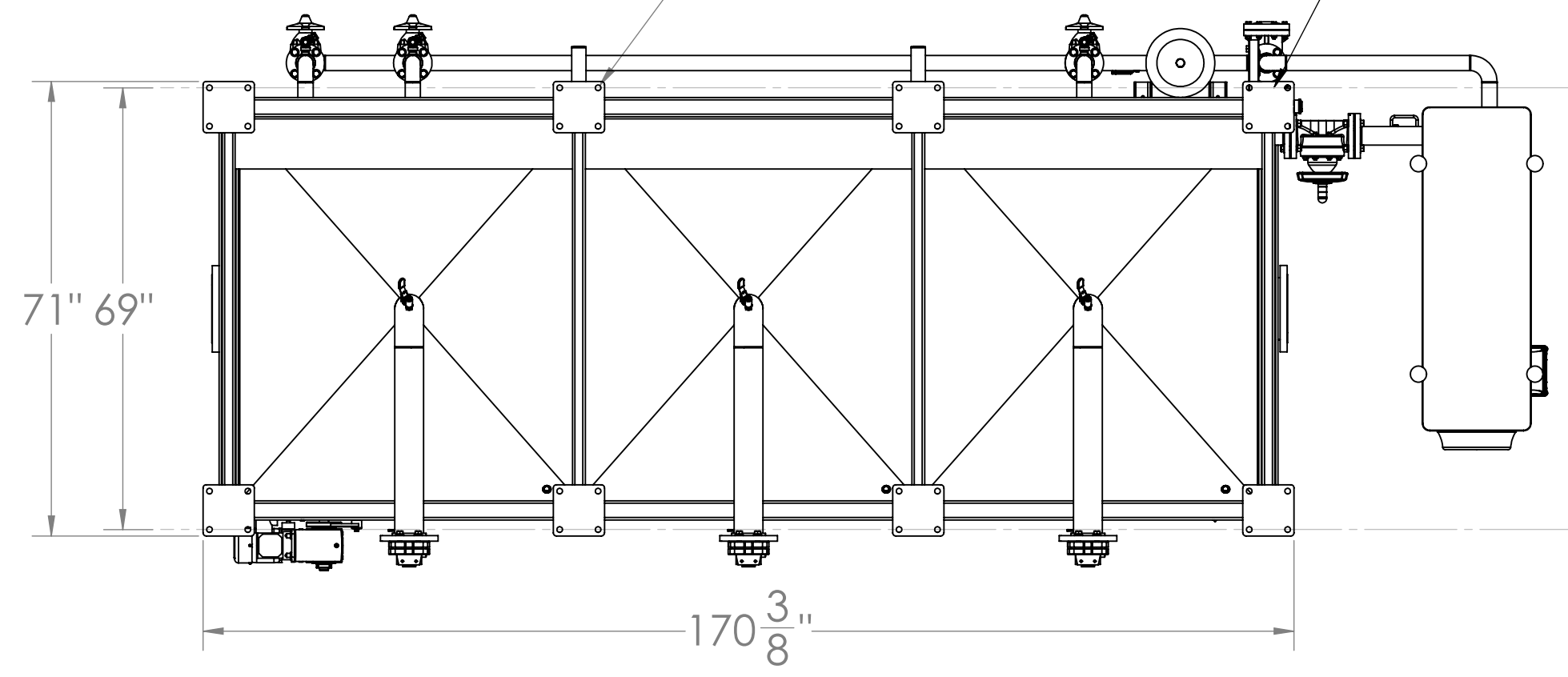
32x ϕ 7/8"
3/4" ANCHORS RECOMMENDED

TOP

BOTTOM



ESTIMATED DRY WEIGHT: 9,000 LBS
ESTIMATED WET WEIGHT: 29,000 LBS




DAF TO BE LEVELED
IN THE FIELD WITH SHIMS
OR LEVELING SCREWS
AND NON-SHRINK GROUT

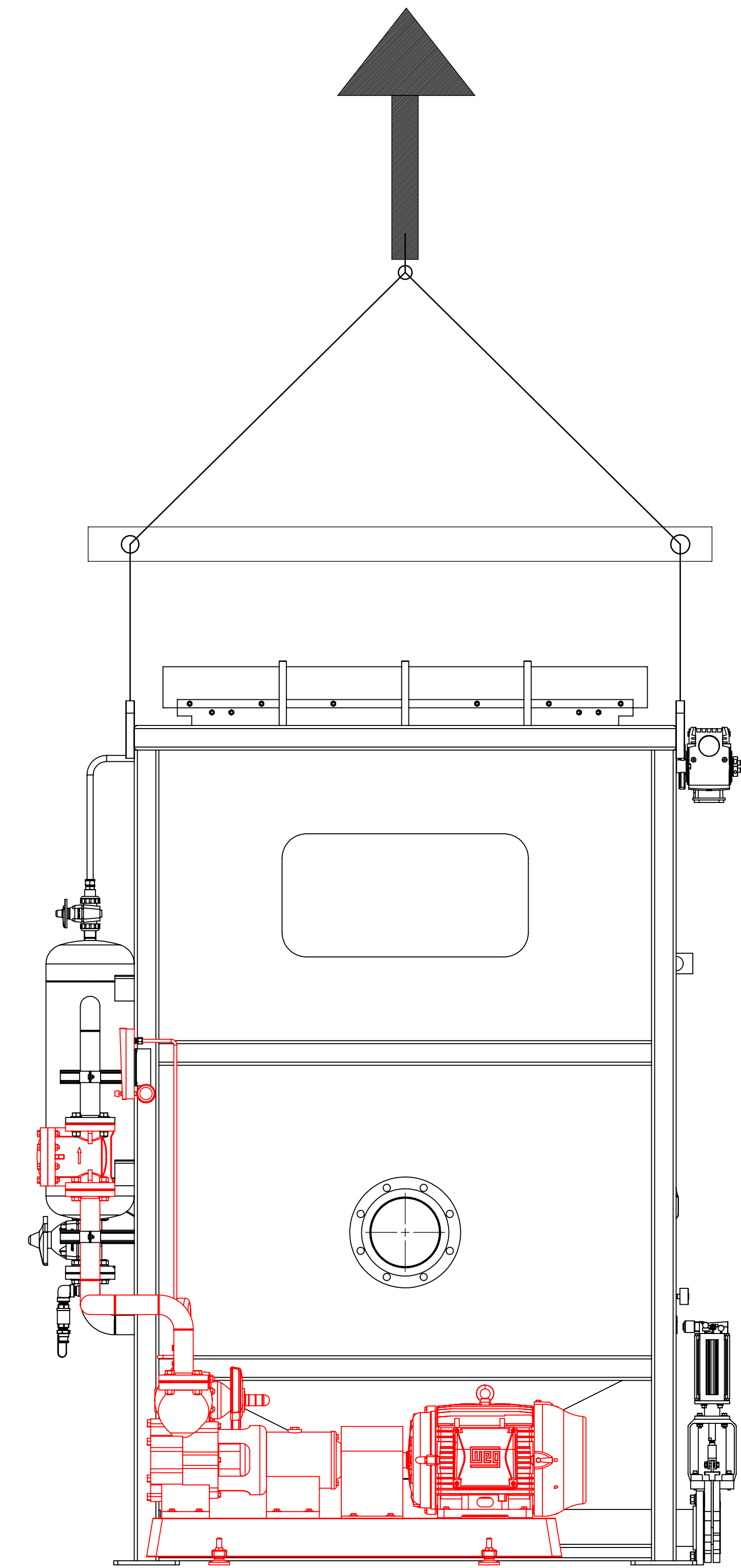
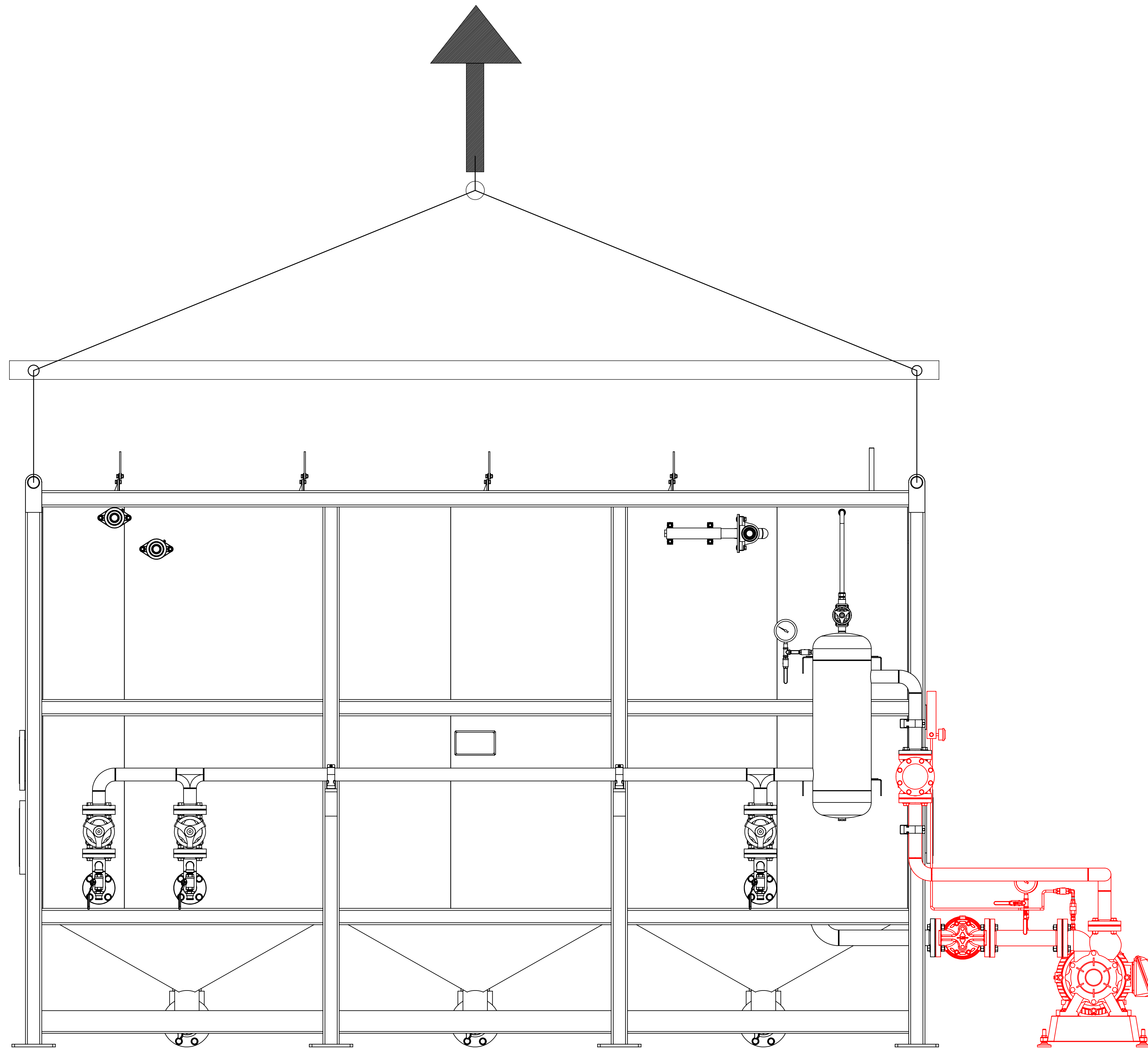
R-50LR

**CUSTOMER NOTE: NO FABRICATION WILL BEGIN WITHOUT
A SIGNED COPY INDICATING CUSTOMER APPROVAL BELOW**


- APPROVED AS DRAWN
- APPROVED WITH COMMENTS, NO RESUBMITAL REQD.
- NOT APPROVED, RESUBMITAL REQD.

SIGNATURE _____ DATE _____

		6424 SOUTH QUEBEC ST CENTENNIAL, CO 80111 PHONE: 303-985-0885		DWG. NO. R-50LR-CD MATERIAL		
		PROJECT R-50LR	DWN BY RLR	APPRV BY	DATE 01-30-2013	SIZE D
DESCRIPTION R-50B-RIGHT DAF DIMENSION DETAILS				SCALE 1:24	SHT 1	OF 1



**RECOMMEND USING SPREADER BARS AS INDICATED TO PREVENT DAMAGE TO DAF.
 CHECK FOR CG. BEFORE COMPLETE LIFT AND ADJUST BARS AS REQ'D.
 ITEMS IN RED SHIPPED SEPERATELY FROM DAF, INSTALLED IN FIELD.
 ESTIMATED DRY WEIGHT: 9,000 LBS.**

		6424 SOUTH QUEBEC ST CENTENNIAL, CO 80111 PHONE: 303-985-0885		DWG. NO. R-50B-Right LIFTING DETAIL MATERIAL		
		PROJECT R-50B RIGHT DAF	DWN BY RR	APPRV BY BG	DATE 1/30/2013	SIZE D
DESCRIPTION R-50B-RIGHT DAF LIFTING DETAIL				SCALE 1:12	SHT 1	OF 1

R-50B-Right LIFTING DETAIL